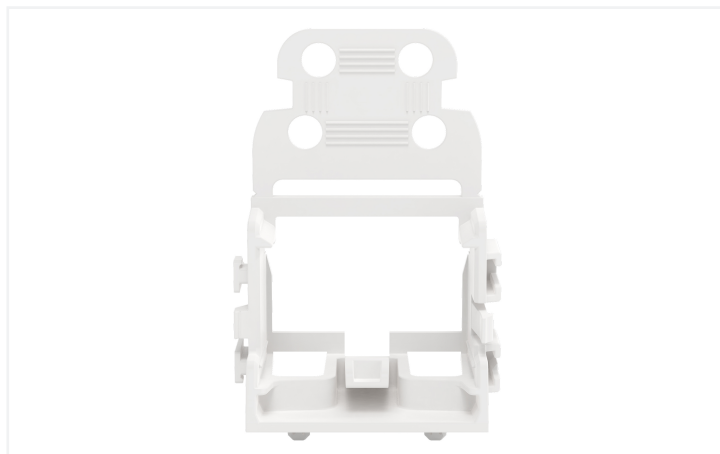


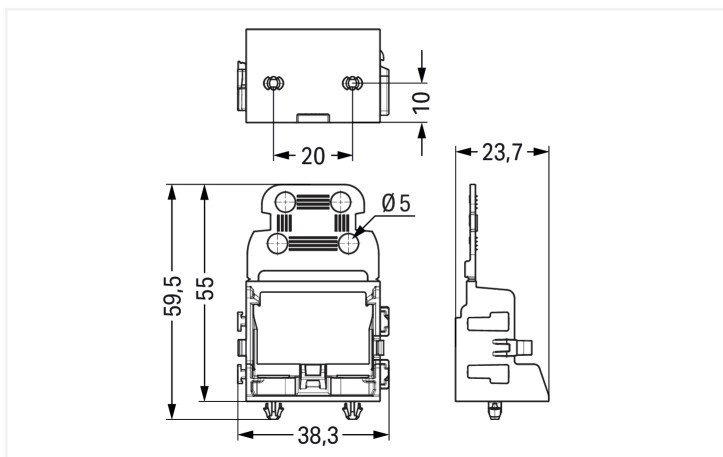
Data Sheet | Item Number: 221-529

Mounting carrier with strain relief; for 10-wire connectors; 221 Series - 4 mm²; with snap-in mounting foot; white

<https://www.wago.com/221-529>



Color: ■ white



Physical data

| | |
|-------------------------|------------------------|
| Width | 38.3 mm / 1.508 inches |
| Height | 59.5 mm / 2.343 inches |
| Height from the surface | 55 mm / 2.165 inches |
| Depth | 23.7 mm / 0.933 inches |

Mechanical data

| | |
|---------------|--|
| Mounting type | Snap-in foot |
| Mounting type | with snap-in mounting foot for vertical mounting |
| Suitable | for 10-wire connectors (4 mm ²) |

Material data

| | |
|------------------------------------|--|
| Note (material data) | Information on material specifications can be found here |
| Color | white |
| Material group | I |
| Insulation material (main housing) | Polyamide (PA66) |
| Flammability class per UL94 | V0 |
| Fire load | 0.183 MJ |
| Weight | 6.1 g |

Commercial data

| | |
|-----------------------|---------------|
| PU (SPU) | 10 pcs |
| Packaging type | Box |
| Country of origin | CN |
| GTIN | 4066966603804 |
| Customs tariff number | 39269097900 |

Product Classification

| | |
|----------|----------------------|
| UNSPSC | 39121410 |
| ETIM 9.0 | EC002848 |
| ECCN | NO US CLASSIFICATION |

Environmental Product Compliance

| | |
|------------------------|-------------------------|
| RoHS Compliance Status | Compliant, No Exemption |
|------------------------|-------------------------|

Downloads

Environmental Product Compliance

Compliance Search

Environmental Product
Compliance 221-529



1 Compatible Products

1.1 Optional Accessories

1.1.1 Marking

1.1.1.1 Marking strip



Item No.: 210-833

Marking strips; 25 m on roll; 6 mm wide;
plain; Self-adhesive; white