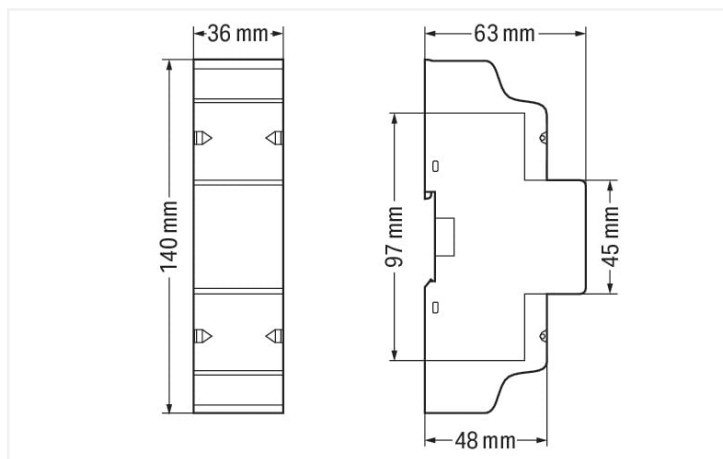
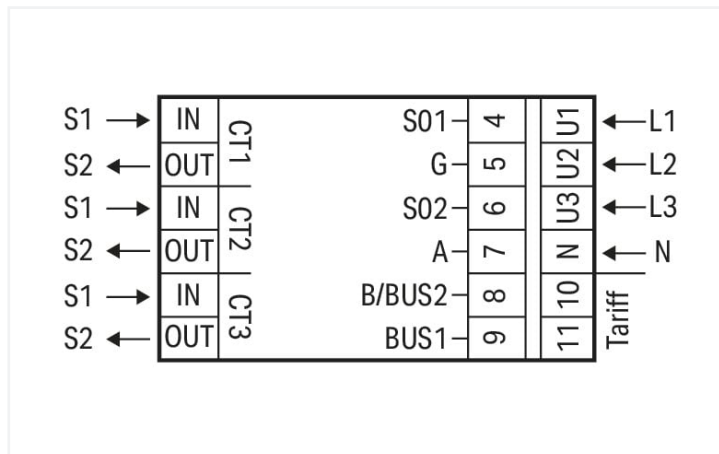


Data Sheet | Item Number: 879-3040

Energy meter (MID); for transformer connection; 1 A / 5 A; 3x230/400V; 50Hz; Modbus® and M-Bus; 2 x S0 interface; 2PU CT

<https://www.wago.com/879-3040>



Short description:

Crucial for trimming costs, comprehensive energy measurement is necessary to optimize energy consumption. WAGO's portfolio now has new energy meters that simplify this task while offering several key advantages. They use push-in connection technology with a lever, making them connect quickly and easily. Versions for current transformers are even slimmer at only 35 mm. These slim profiles save a tremendous amount of control cabinet space. In addition to the values for active and reactive energy, the energy meters also record the mains frequency, as well as current, voltage and power for all phases. And the user can conveniently scan all of these energy characteristics at a glance on a large, illuminated display.

Features:

- Push-in CAGE CLAMP® and lever save time at every stage
- Real space savings: 35 mm wide (2PUCT)
- Measurement of supply and purchase
- Energy measurement in four tariffs
- The communications pro: M-Bus/Modbus® interface and two S0 pulse outputs
- Full transparency at a glance: display energy quality characteristics on an illuminated full-format display
- Intuitive configuration: touch-sensitive controls and configuration app via *Bluetooth*®

Technical data

Configuration

Configuration options

Touch-sensitive controls
Configuration app via *Bluetooth*®

Input

Input signal type

Voltage
Current

Network configuration

Two-wire, three-wire and four-wire networks

Nominal input voltage $U_{I_{nom}}$

3 x AC 230 ... 400 V

Input voltage range

±20 %

Reference current I_{ref}

1 A

Input current I_i

≤ 5 A

Input

Current transformer (secondary)	1 A 5 A
Current transformer ratio	1:1 ... 9999 : 1 / 5:5 ... 9995 : 5
Frequency range	45 ... 60 Hz

Signal processing

Measured variables (calculated)	Active and reactive energy in supply and reference direction
Measurement type (load profile)	No

Supply

Power supply type	Via measurement circuit
Power consumption P_{max} (phase; active power)	2 W
Power consumption P_{max} (phase; apparent power)	10 VA

Safety and protection

Dielectric strength	4 kV; 1 min
Impulse withstand voltage (1.2/50 μ s)	6 kV
Pollution degree	2
Protection type	IP51 / IP20; IP51 (front side); IP20 (connection)
Protection class	II

Connection data

Connection type 1	Voltage/current
Connection technology	Push-in CAGE CLAMP®
WAGO connector	WAGO 2604 Series
Actuation type	Lever
Solid conductor	0.2 ... 4 mm ² / 24 ... 12 AWG
Fine-stranded conductor	0.2 ... 4 mm ² / 24 ... 12 AWG
Fine-stranded conductor; with insulated ferrule	0.25 ... 2.5 mm ²
Fine-stranded conductor; with uninsulated ferrule	0.25 ... 2.5 mm ²
Strip length	9 ... 11 mm / 0.35 ... 0.43 inches
Connection type 2	Communication/rate control input
Connection technology 2	Push-in CAGE CLAMP®
WAGO connector 2	WAGO 2604 Series
Actuation type 2	Lever
Solid conductor 2	0.2 ... 4 mm ² / 24 ... 12 AWG
Fine-stranded conductor 2	0.2 ... 4 mm ² / 24 ... 12 AWG
Fine-stranded conductor; with insulated ferrule 2	0.25 ... 2.5 mm ²
Fine-stranded conductor; with uninsulated ferrule 2	0.25 ... 2.5 mm ²
Strip length 2	9 ... 11 mm / 0.35 ... 0.43 inches

Communication

Communication	Modbus® M-Bus Bluetooth®
Interface	RS-485 (2-wire); 2x S0 interfaces (configurable)
Rate control input	230 VAC
Indicators	LCD with backlight

Measurement error

Accuracy class	Class B (= 1 % error); Active energy per EN 50470-3
Calibration validity period	8 years

Physical data

Width	36 mm / 1.417 inches
Height	97 mm / 3.82 inches
Depth	63 mm / 2.48 inches
Note (dimensions)	Height with cover: 140 mm

Mechanical data

Mounting type	DIN-35 rail
---------------	-------------

Material data

Housing material	PC 940A
Fire load	0 MJ
Weight	165 g

Environmental requirements

Ambient temperature (operation)	-40 ... +70 °C
Relative humidity	≤ 75% (during storage ≤ 95 %)

Standards and specifications

Conformity marking	CE
Standards/specifications	EN 50470-1/3 MID-compliant

Commercial data

ETIM 8.0	EC002048
ETIM 7.0	EC002048
PU (SPU)	1 pcs
Packaging type	Box
Country of origin	CN
GTIN	4066966177299
Customs tariff number	90283019000

Environmental Product Compliance

RoHS Compliance Status	Compliant, No Exemption
------------------------	-------------------------

Approvals / Certificates

Declarations of conformity and manufacturer's declarations

Approval	Standard	Certificate Name
EU-Declaration of Conformity WAGO GmbH & Co. KG	-	-
UK-Declaration of Conformity WAGO GmbH & Co. KG	-	-

1 Compatible Products

1.1 Optional Accessories

1.1.1 Current transformer

1.1.1.1 Plug-in current transformer



Item No.: 855-305/300-509

Plug-in current transformer; Primary rated current 300 A; Secondary rated current: 5 A; Rated power: 5 VA; Accuracy class: 0.5; for billing purposes



Item No.: 855-405/300-509

Plug-in current transformer; Primary rated current 300 A; Secondary rated current: 5 A; Rated power: 5 VA; Accuracy class: 0.5; for billing purposes



Item No.: 855-305/750-509

Plug-in current transformer; Primary rated current 750 A; Secondary rated current: 5 A; Rated power: 5 VA; Accuracy class: 0.5; for billing purposes



Item No.: 855-405/750-509

Plug-in current transformer; Primary rated current 750 A; Secondary rated current: 5 A; Rated power: 5 VA; Accuracy class: 0.5; for billing purposes



Item No.: 855-305/100-209

Plug-in current transformer; Primary rated current: 100 A; Secondary rated current: 5 A; Rated power: 2.5 VA; Accuracy class: 0.5; for billing purposes



Item No.: 855-305/150-209

Plug-in current transformer; Primary rated current: 150 A; Secondary rated current: 5 A; Rated power: 2.5 VA; Accuracy class: 0.5; for billing purposes



Item No.: 855-405/200-209

Plug-in current transformer; Primary rated current: 200 A; Secondary rated current: 5 A; Rated power: 2.5 VA; Accuracy class: 0.5; for billing purposes



Item No.: 855-305/200-509

Plug-in current transformer; Primary rated current: 200 A; Secondary rated current: 5 A; Rated power: 5 VA; Accuracy class: 0.5; for billing purposes



Item No.: 855-405/250-209

Plug-in current transformer; Primary rated current: 250 A; Secondary rated current: 5 A; Rated power: 2.5 VA; Accuracy class: 0.5; for billing purposes



Item No.: 855-305/250-509

Plug-in current transformer; Primary rated current: 250 A; Secondary rated current: 5 A; Rated power: 5 VA; Accuracy class: 0.5; for billing purposes



Item No.: 855-305/400-509

Plug-in current transformer; Primary rated current: 400 A; Secondary rated current: 5 A; Rated power: 5 VA; Accuracy class: 0.5; for billing purposes



Item No.: 855-405/400-509

Plug-in current transformer; Primary rated current: 400 A; Secondary rated current: 5 A; Rated power: 5 VA; Accuracy class: 0.5; for billing purposes



Item No.: 855-305/500-509

Plug-in current transformer; Primary rated current: 500 A; Secondary rated current: 5 A; Rated power: 5 VA; Accuracy class: 0.5; for billing purposes



Item No.: 855-405/500-509

Plug-in current transformer; Primary rated current: 500 A; Secondary rated current: 5 A; Rated power: 5 VA; Accuracy class: 0.5; for billing purposes



Item No.: 855-305/600-509

Plug-in current transformer; Primary rated current: 600 A; Secondary rated current: 5 A; Rated power: 5 VA; Accuracy class: 0.5; for billing purposes



Item No.: 855-405/600-509

Plug-in current transformer; Primary rated current: 600 A; Secondary rated current: 5 A; Rated power: 5 VA; Accuracy class: 0.5; for billing purposes