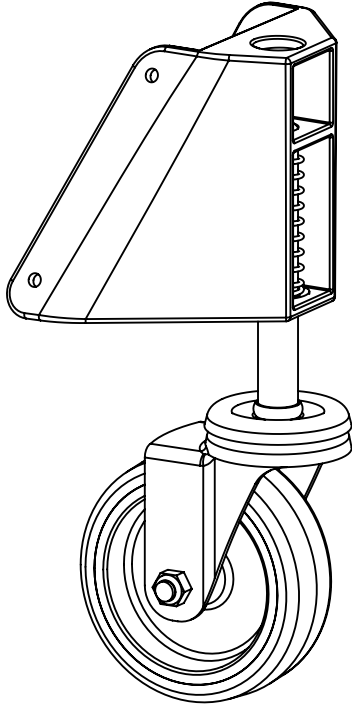
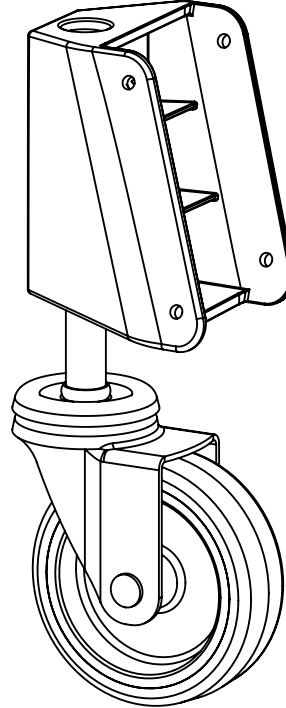


ASSEMBLY MANUAL

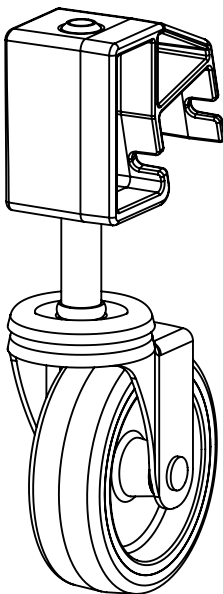
READ THESE INSTRUCTIONS COMPLETELY
BEFORE STARTING WORK



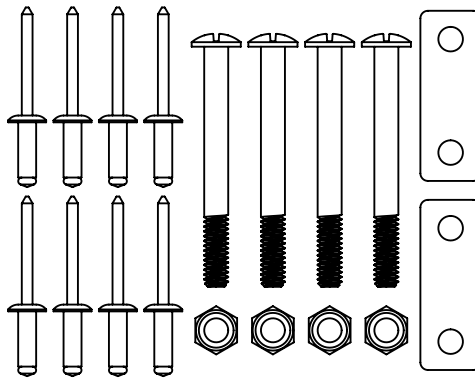
**LHS Front Castor
Assembly**



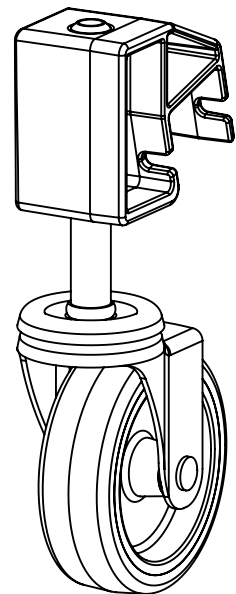
**RHS Front Castor
Assembly**



**Rear Castor
Assembly**



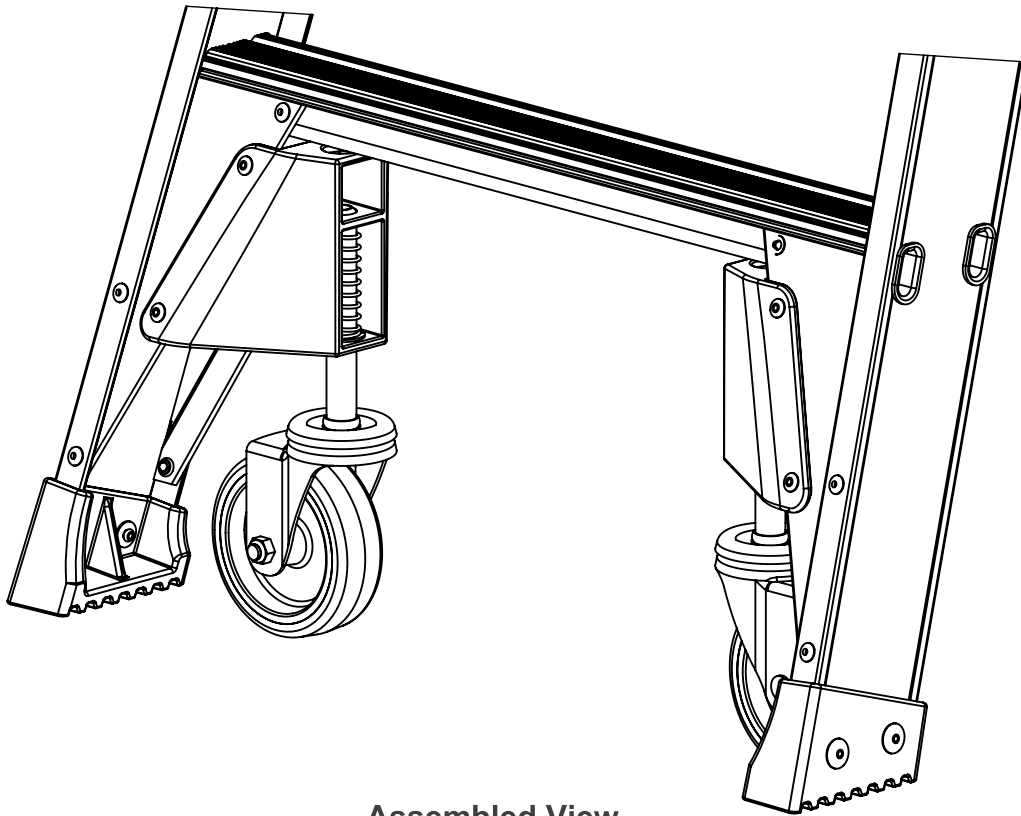
Component Kit



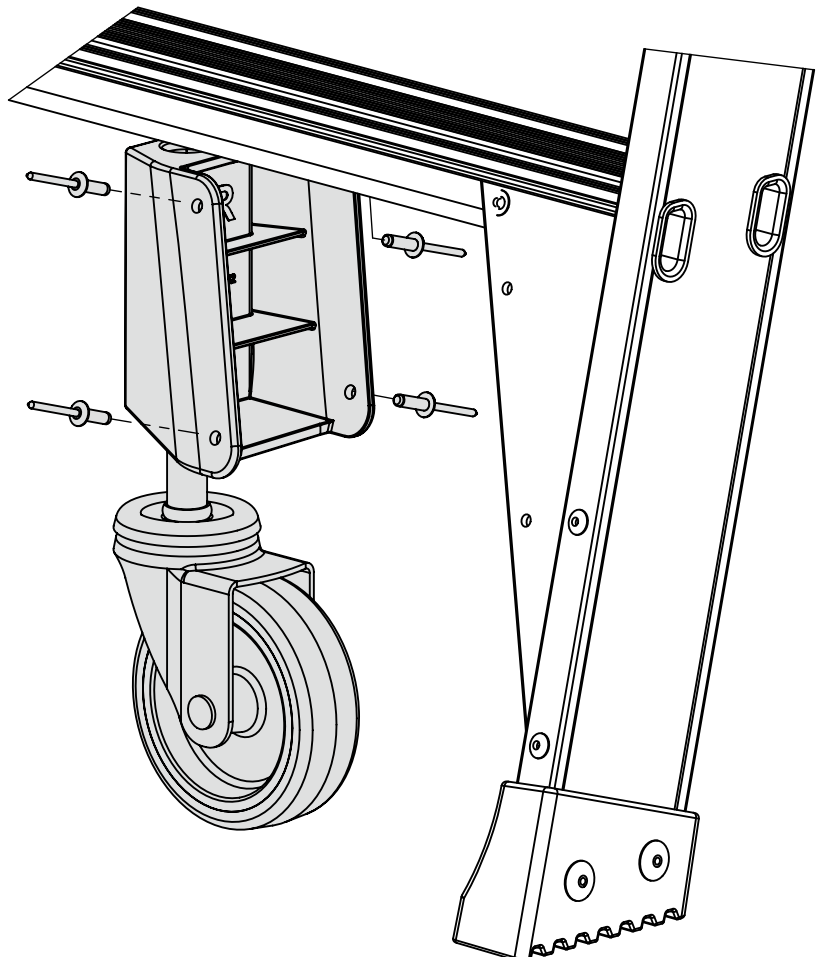
**Rear Castor
Assembly**

Tools Required:
Pop Rivet Gun
11mm AF Spanner
Phillips Screwdriver

Front Castor Assembly



Assembled View

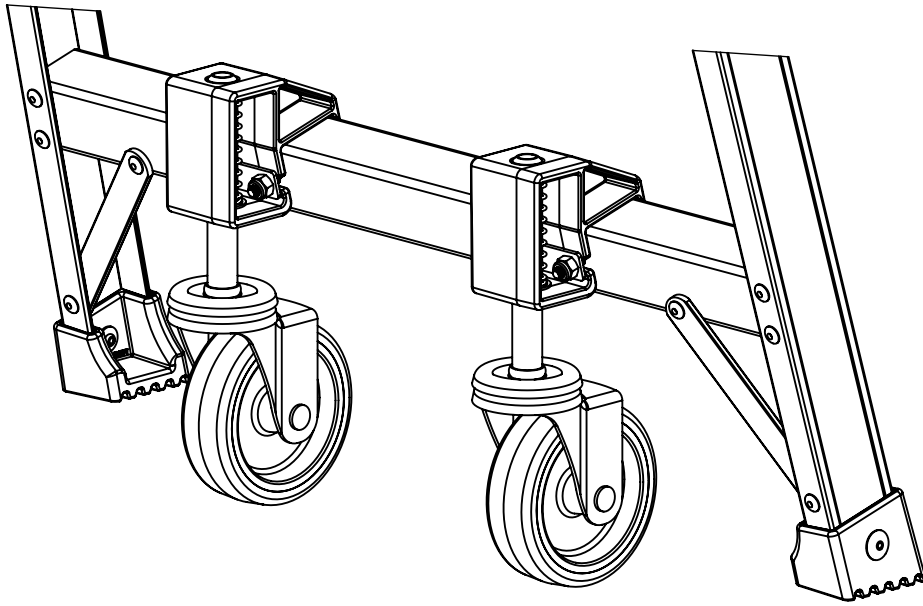


Assembly Instructions

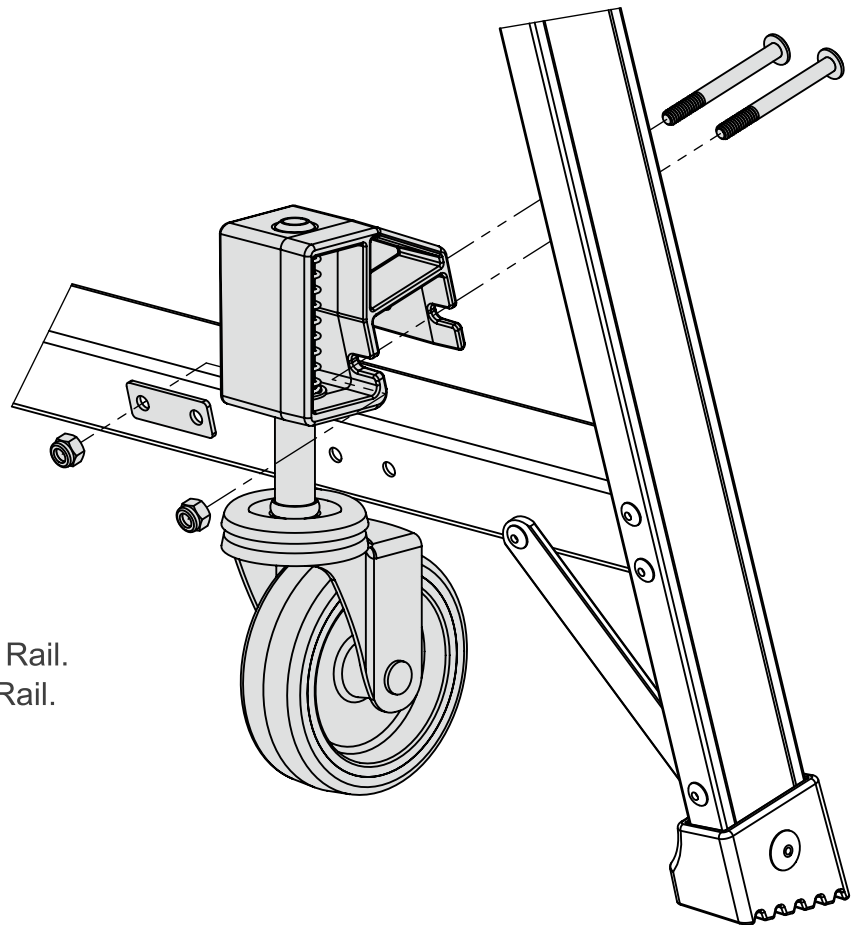
1. Locate the RHS Front Castor Assembly.
2. Fit the Castor Bracket over the Braces.
3. Align with the four holes in the Braces.
4. Insert four Pop Rivets.
5. Pull all the Pop Rivets.
6. Repeat these steps for the LHS Front Castor Assembly.

Exploded Detail

Rear Castor Assembly



Assembled View



Assembly Instructions

7. Locate the Rear Castor Assemblies.
8. Fit the Castor Bracket over the Bottom Rail.
9. Align with the two holes in the Bottom Rail.
10. Insert two Screws.
11. Fit Support Plate.
12. Fit two Nyloc Nuts.
13. Firmly tighten all Screws.
14. Repeat these steps for the other Rear Castor Assembly.

Exploded Detail

WARNING:

Failure to comply with all instructions may result in serious injury.
Before assembling this product, identify all components.
If any components are missing or damaged, return to the place of purchase.
Do not substitute any components.

ATTENTION:

For Goods Return, this package must be in original condition.
If the contents are opened and or partially assembled
they will not be accepted as a returnable item.

WARNING:

AS 1892: Portable Ladders.

Read and understand assembly instructions and labels before use.

Inspect all components for damage before use.

Ensure enclosed slip resistant footwear is worn at all times.

Ensure ladder is only used on firm and level ground.

Do not overreach.

Always keep your 'belt buckle' inside the footprint of the ladder.

Do not move the ladder with users, tools or materials on the platform.

Do not use this ladder if you tire easily or are subject to
fainting spells, are using medication, drugs or alcohol,
are pregnant or physically handicapped.

The manufacturer/importer Werner Co. will not be responsible for
damage or injury to persons through misuse of ladders.