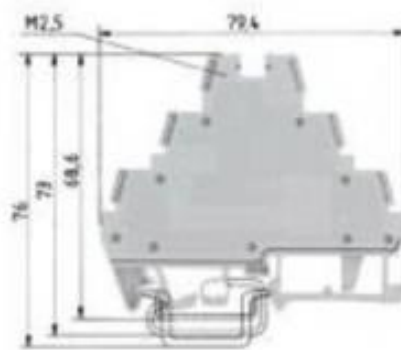


Datasheet

Art.No. 57.503.8855.0

Initiator terminal WWK 2,5-3 D/U /V0

Initiator terminal block with screw connection for mounting on TS 35 and TS 32, nominal cross section 2.5 mm², width 6 mm, color gra



Art.No.	57.503.8855.0
EAN	4015573511743
Order unit	50 pieces

Approvals



Technical data

General

Nominal cross section	2.5 mm ²
Colour	Grey
Number of levels	3
Number of clamp positions per level	2
Width/grid dimension	6 mm
Insulating housing	PA666
Inflammability class of insulation material acc. with UL94	V0
Mounting method	DIN rail (top hat rail)/G-rail
Terminal blocks for electrical installations	No

Technical data

Rated current	24 A
Rated voltage	400 V
Rated impulse voltage	6 kV
Pollution degree	3
Closing plate required	No
Type of insulation material	Thermoplastic
Length	79.4 mm

Connection Data

Connection type 1	Screw connection
Connection type 2	Screw connection
Minimum cross section solid	0.5 mm ²

Maximum cross section solid	4 mm ²
Minimum cross section fine stranded	0.5 mm ²
Maximum cross section fine stranded	2.5 mm ²
Wire strip length	7 mm
Torque conductor mounting	0.4 Nm

Technical Data UL/CSA

Cross section UL	22-12 AWG
Voltage UL	300 V
Current factory wiring	25 A
Current field wiring	20 A
Cross section CSA	22-12 AWG
Voltage CSA	300 V
Current CSA	25 A

Note

Display	None
Power supply function	No

Classification

ECLASS 8.1	27141128: Sensor/actuator terminal block
ETIM 5.0	EC000900: Sensor/actuator terminal block
ETIM 4.0	EC000900: Sensor/actuator terminal block
ETIM 3.0	EC000900: Sensor/actuator terminal block

Accessories

Art.No.:	Type:	Description
05.509.6021.0	Female plug 9011 G	Test socket for Test plug 4 mm for DIN rail terminal blocks type
07.312.1255.0	Partition TW 2,5-3 D/U /V0	Partition for DIN rail terminal blocks type WK ..., color gray
98.190.0000.0	Mounting rail TS 35x7,5 PERF 25mm - l:2000mm	Mounting rail G 32, unslotted, Höhe 5,5 mm, length 2 m, material steel. galv. zinc-plated and dichromated
98.190.1000.0	Mounting rail G-32 EN60715 2000MM	Mounting rail G 32, slotted, Höhe 15 mm, length 2 m, material steel. galv. zinc-plated and dichromated
98.210.0000.0	Mounting rail G-32 EN60715 2000MM	Mounting rail G 32, unslotted, Höhe 15 mm, length 2 m, material Aluminium
98.220.0000.0	Mounting rail G-32 EN60715 2000MM	Mounting rail G 32, unslotted, Höhe 15 mm, length 2 m, material E copper
98.300.0000.0	Mounting rail TS 35x7,5 UNPERF - l:2000mm	Mounting rail TS 35, unslotted, size 7,5 mm, length 2 m, material steel. galv. zinc-plated and dichromated
98.300.1000.0	Mounting rail TS 35x7,5 PERF 15mm - l:2000mm	Mounting rail TS 35, slotted, size 7,5 mm, length 2 m, material steel. galv. zinc-plated and dichromated
98.300.1900.0	Mounting rail 35x27x7,5EN60715 2000MM	Mounting rail TS 35, slotted, size 7,5 mm, length 2 m, material steel. galv. zinc-plated and dichromated
98.360.0000.0	Mounting rail 35x24x15 EN60715 2000MM	Mounting rail TS 35, unslotted, size 15 mm, length 2 m, material steel. galv. zinc-plated and dichromated
98.360.0004.0	Mounting rail 35x24x15 EN60715 2000MM	Mounting rail TS 35, unslotted, size 15 mm, length 2 m, material steel, hot galvanized
98.370.0000.0	Mounting rail 35x27x15(EN60715)2000MM	Mounting rail TS 35, unslotted, size 15 mm, length 2 m, material steel. galv. zinc-plated and dichromated
98.370.1000.0	Mounting rail 35x27x15(EN60715)2000MM	Mounting rail TS 35, slotted, size 15 mm, length 2 m, material steel. galv. zinc-plated and dichromated
98.380.0000.0	Mounting rail 35x24x15 EN60715 2000MM	Mounting rail TS 35, unslotted, size 15 mm, length 2 m, material E copper
Z5.522.2423.0	End bracket 9008	End clamp for mounting rail TS 32
Z5.522.7053.0	End bracket 9708	End clamp for mounting rail TS 32

Z5.522.7453.0	End bracket 9708 / S35	End clamp for mounting rail TS 35
Z5.522.8553.0	End bracket 9708 / 2 S 35	End clamp for mounting rail TS 35
Z5.523.5653.0	End bracket WE 2 / U	End clamp for mounting rail TS 35 and TS 32
Z5.523.5753.0	End bracket WE 1 / U	End clamp for mounting rail TS 35 and TS 32
Z5.523.9353.0	End bracket WEF 1 / 35	End clamp, schraubelos for mounting rail TS 35
Z7.267.0227.5	Jumper bar IVB WK 2,5-K- 2 ROT	Jumper comp, insulated for DIN rail terminal blocks type WK ..., 2 -pole
Z7.267.0227.6	Jumper bar IVB WK 2,5-K- 2 BLUE	Jumper comp, insulated for DIN rail terminal blocks type WK ..., 2 -pole
Z7.267.0327.5	Jumper bar IVB WK 2,5-K- 3 RED	Jumper comp, insulated for DIN rail terminal blocks type WK ..., 3 -pole
Z7.267.0327.6	Jumper bar IVB WK 2,5-K- 3 BLUE	Jumper comp, insulated for DIN rail terminal blocks type WK ..., 3 -pole
Z7.267.0427.5	Jumper bar IVB WK 2,5-K- 4 RED	Jumper comp, insulated for DIN rail terminal blocks type WK ..., 4 -pole
Z7.267.0427.6	Jumper bar IVB WK 2,5-K- 4 BLUE	Jumper comp, insulated for DIN rail terminal blocks type WK ..., 4 -pole
Z7.267.0527.5	Jumper bar IVB WK 2,5-K- 5 ROT	Jumper comp, insulated for DIN rail terminal blocks type WK ..., 5 -pole
Z7.267.0527.6	Jumper bar IVB WK 2,5-K- 5 BLUE	Jumper comp, insulated for DIN rail terminal blocks type WK ..., 5 -pole
Z7.267.0627.5	Jumper bar IVB WK 2,5-K- 6 RED	Jumper comp, insulated for DIN rail terminal blocks type WK ..., 6 -pole
Z7.267.0627.6	Jumper bar IVB WK 2,5-K- 6 BLUE	Jumper comp, insulated for DIN rail terminal blocks type WK ..., 6 -pole
Z7.267.0727.5	Jumper bar IVB WK 2,5-K- 7 RED	Jumper comp, insulated for DIN rail terminal blocks type WK ..., 7 -pole
Z7.267.0727.6	Jumper bar IVB WK 2,5-K- 7 BLUE	Jumper comp, insulated for DIN rail terminal blocks type WK ..., 7 -pole
Z7.267.0827.5	Jumper bar IVB WK 2,5-K- 8 RED	Jumper comp, insulated for DIN rail terminal blocks type WK ..., 8 -pole
Z7.267.0827.6	Jumper bar IVB WK 2,5-K- 8 BLUE	Jumper comp, insulated for DIN rail terminal blocks type WK ..., 8 -pole
Z7.267.0927.5	Jumper bar IVB WK 2,5-K- 9 RED	Jumper comp, insulated for DIN rail terminal blocks type WK ..., 9 -pole
Z7.267.0927.6	Jumper bar IVB WK 2,5-K- 9 BLUE	Jumper comp, insulated for DIN rail terminal blocks type WK ..., 9 -pole
Z7.267.1027.5	Jumper bar IVB WK 2,5-K- 10 RED	Jumper comp, insulated for DIN rail terminal blocks type WK ..., 10 -pole
Z7.267.1027.6	Jumper bar IVB WK 2,5-K- 10 BLUE	Jumper comp, insulated for DIN rail terminal blocks type WK ..., 10 -pole
Z7.267.1127.5	Jumper bar IVB WK 2,5-K- 11 RED	Jumper comp, insulated for DIN rail terminal blocks type WK ..., 11 -pole
Z7.267.1127.6	Jumper bar IVB WK 2,5-K- 11 BLUE	Jumper comp, insulated for DIN rail terminal blocks type WK ..., 11 -pole
Z7.267.1227.5	Jumper bar IVB WK 2,5-K- 12 RED	Jumper comp, insulated for DIN rail terminal blocks type WK ..., 12 -pole
Z7.267.1227.6	Jumper bar IVB WK 2,5-K- 12 BLUE	Jumper comp, insulated for DIN rail terminal blocks type WK ..., 12 -pole

Drawings

