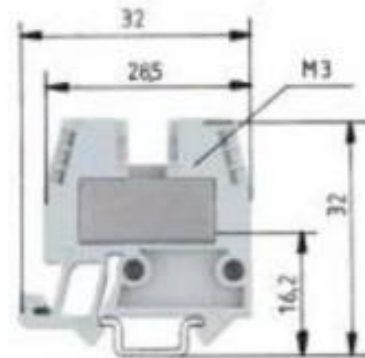


Datasheet

Art.No. 55.504.1053.0

Feed-through terminal WKM 4 /15/V0

Feed-through DIN rail terminal block with screw connection for mounting on TS 15, nominal cross section 4 mm<sup>2</sup>, width 6 mm, color gra



Art.No.	55.504.1053.0
EAN	4015573478503
Order unit	100 pieces

Approvals



Technical data

General

Nominal cross section	4 mm <sup>2</sup>
Colour	Grey
Number of levels	1
Number of clamp positions per level	2
Width/grid dimension	6 mm
Insulating housing	PA666
Inflammability class of insulation material acc. with UL94	V0
Explosion-tested version "Ex e"	Yes
Mounting method	DIN rail (top hat rail) 15 mm
Terminal blocks for electrical installations	Yes

Technical data

Rated current	28 A
Rated voltage	500 V
Rated impulse voltage	6 kV
Pollution degree	3
Closing plate required	Yes
Type of insulation material	Thermoplastic
Length	32 mm

Connection Data

Connection type 1	Screw connection
Connection type 2	Screw connection

Minimum cross section solid	0.5 mm <sup>2</sup>
Maximum cross section solid	6 mm <sup>2</sup>
Minimum cross section fine stranded	0.5 mm <sup>2</sup>
Maximum cross section fine stranded	4 mm <sup>2</sup>
Wire strip length	9 mm
Torque conductor mounting	0.5 Nm

### Technical Data UL/CSA

Cross section UL	22-10 AWG
Voltage UL	600 V
Current factory wiring	30 A
Current field wiring	30 A
Cross section CSA	20-10 AWG
Voltage CSA	600 V
Current CSA	37 A

### Classification

ECLASS 8.1	27141120: Feed-through terminal block
ETIM 5.0	EC000897: Feed-through terminal block
ETIM 4.0	EC000897: Feed-through terminal block
ETIM 3.0	EC000897: Feed-through terminal block

### Accessories

Art.No.:	Type:	Description
04.326.2953.8	Cover with marking facility AD VB 4 / 15 YELLOW	Cover with marking facility for cross connector for DIN rail terminal blocks type WK ...
07.311.0853.0	End plate APM 2,5 - 4 / 15	End plate for DIN rail terminal blocks type WKM..., color gray
07.311.0853.6	End plate APM 2,5 - 4 / 15 BLUE	End plate for DIN rail terminal blocks type WKM..., color blue
07.311.1853.0	Partition TWM 2,5 -4 /15	Partition for DIN rail terminal blocks type WKM ..., color gray
07.311.1853.6	Partition TW 2,5 -4 /15 BLUE	Partition for DIN rail terminal blocks type WK ..., color blue
07.311.2953.8	Partition TS 4 / 15 YELLOW	Partition plate with marking facility for DIN rail terminal blocks type WK ..., color yellow
98.090.0015.0	Mounting rail TS 15 PERF - l:2000mm	Covers for fasis - selos - taris DIN rail terminal blocks
Z5.522.7553.0	End bracket 9208 / S15	End clamp for mounting rail TS 15
Z7.271.2227.0	Insulated jumper bar IVB WK4 E/U- 2	Cross connector, insulated for DIN rail terminal blocks type WK ..., 2 -pole
Z7.271.2327.0	Insulated jumper bar IVB WK4 E/U- 3	Cross connector, insulated for DIN rail terminal blocks type WK ..., 3 -pole
Z7.271.2427.0	Insulated jumper bar IVB WK4 E/U- 4	Cross connector, insulated for DIN rail terminal blocks type WK ..., 4 -pole
Z7.271.2527.0	Insulated jumper bar IVB WK4 E/U- 5	Cross connector, insulated for DIN rail terminal blocks type WK ..., 5 -pole
Z7.271.2627.0	Insulated jumper bar IVB WK4 E/U- 6	Cross connector, insulated for DIN rail terminal blocks type WK ..., 6 -pole
Z7.271.2727.0	Insulated jumper bar IVB WK4 E/U- 7	Cross connector, insulated for DIN rail terminal blocks type WK ..., 7 -pole
Z7.271.2827.0	Insulated jumper bar IVB WK4 E/U- 8	Cross connector, insulated for DIN rail terminal blocks type WK ..., 8 -pole
Z7.271.2927.0	Insulated jumper bar IVB WK4 E/U- 9	Cross connector, insulated for DIN rail terminal blocks type WK ..., 9 -pole
Z7.271.3027.0	Insulated jumper bar IVB WK4 E/U-10	Cross connector, insulated for DIN rail terminal blocks type WK ..., 10 -pole

Z7.271.3127.0	Insulated jumper bar IVB WK4 E/U-11	Cross connector, insulated for DIN rail terminal blocks type WK ..., 11 -pole
Z7.271.3227.0	Insulated jumper bar IVB WK4 E/U-12	Cross connector, insulated for DIN rail terminal blocks type WK ..., 12 -pole

