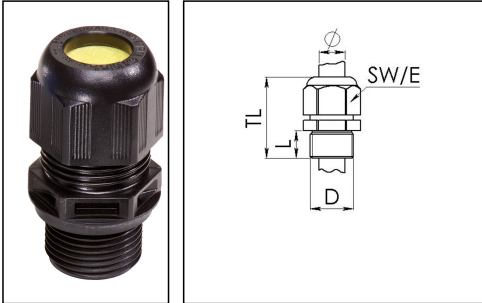


ESKE/1-L-e 16

Ex-cable gland, polyamide with long thread, RAL 9005, M16



Products may differ in size, colour and appearance to those shown. If you require further information or customisation, please contact us directly.



Material cable gland	Polyamide
Material sealing gasket	EPDM
Temp. range min	-40 °C
Temp. range max	75 °C
Protection class	IP66 / IP68 (5 bar 30 min)
Type of protection	Ex eb, Ex tb
Ex-Certificate	IECEx, ATEX
Glow wire test	750 °C
Thread type	M
Ø Connection thread D	16
Lead	1,5
Length screw-in thread L	15 mm
Ø cable diameter min	4,5 mm
Ø cable diameter max	9 mm
Key width SW	20 mm
Collar diameter (E)	22 mm
Total length TL	37 mm - 43 mm
Install. torques fitting	1,8 N/m
Install. torques cap nut	1,3 N/m
Equipment	Incl. connection thread gasket
Product Color	RAL 9005
Order no. RAL 9005	10103380
Type	ESKE/1-L-e 16
Packing unit	50
EAN number	4007685083218

Your Contact:

WISKA UK Ltd.

Unit 7, Hurling Way · St. Columb Major Business Park · TR9 6SX, St. Columb Major, Cornwall · Great Britain

☎ +44-12-08816062 · 📠 +44-12-08816708

info@wiska.co.uk · www.wiska.co.uk

Tariff number	39269097
ETIM-Classification	EC000441

Recommended accessories

EMUG 16 BK	10061781
RDE 16	10062184
BS 9	10064007

07.08.2023

Your Contact:

WISKA UK Ltd.

Unit 7, Hurling Way · St. Columb Major Business Park · TR9 6SX, St. Columb Major, Cornwall · Great Britain

☎ +44-12-08816062 · 📠 +44-12-08816708

info@wiska.co.uk · www.wiska.co.uk



Your Contact:

WISKA UK Ltd.

Unit 7, Hurling Way · St. Columb Major Business Park · TR9 6SX, St. Columb Major, Cornwall · Great Britain

☎ +44-12-08816062 · 📠 +44-12-08816708

info@wiska.co.uk · www.wiska.co.uk