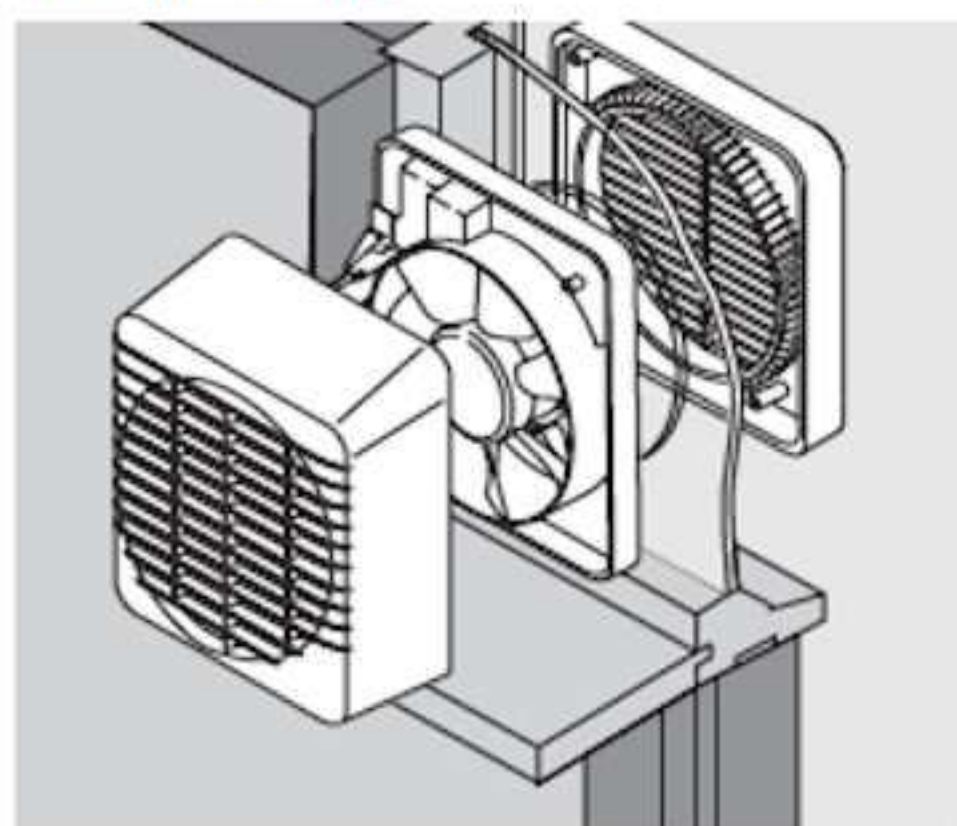


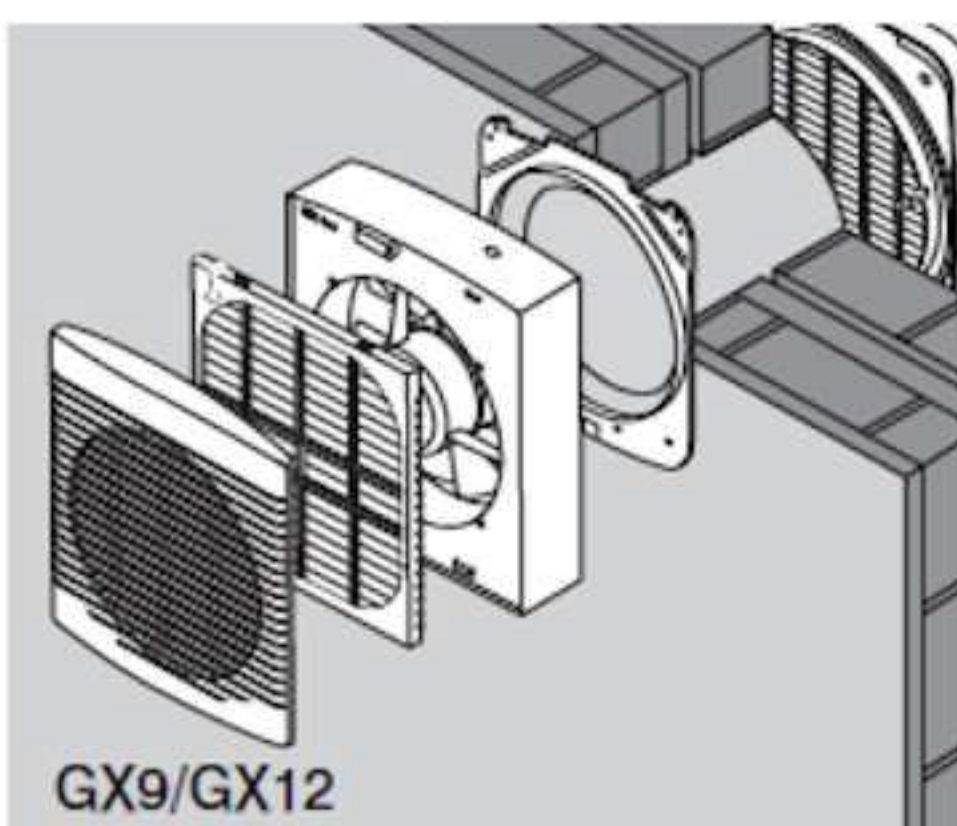
## Wall Mounting



## Window Mounting

---

Hole diameter: 184mm (GX6)  
257mm (GX9)  
324mm (GX12)



## Wall Mounting

---

Hole diameter: 266mm (GX9)  
330mm (GX12)

## Darkroom installation

GX9 unit can be used for a variety of medical and photographic applications where light protection is required by replacing the external grille with a Darkroom Cowl.