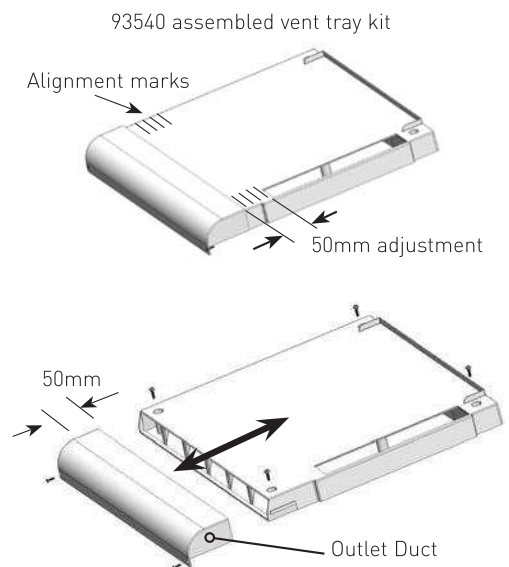
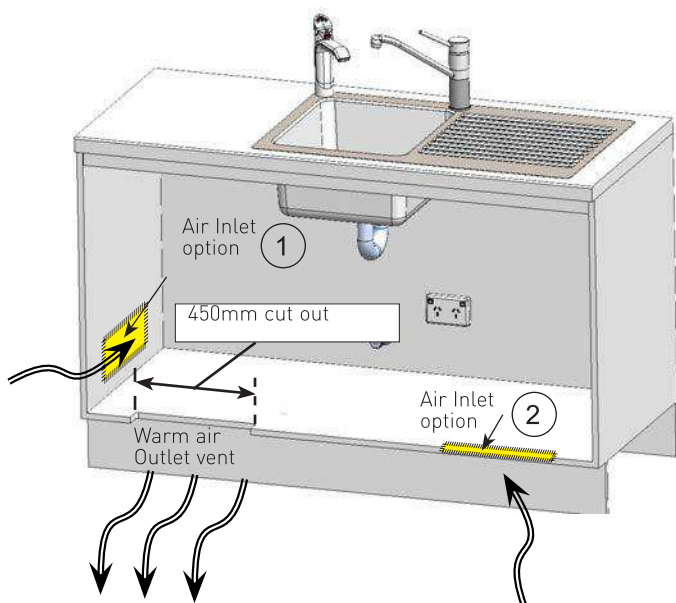


HYDROTAP G4 VENT TRAY KIT

INSTALLATION OPTION 1

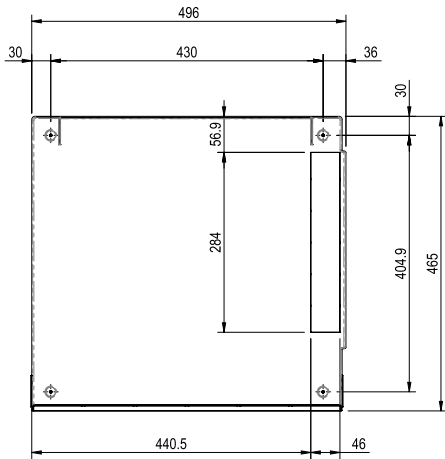
Installation showing the correct Air Flow using the vent tray.

The Vent Tray Kit should be used to provide proper air circulation when the Cross-Flow kit which is supplied with commercial HydroTap models that have chilled or chilled sparkling functionality cannot be fitted. The HydroTap will only operate at its optimum efficiency if the recommended air flow is achieved.

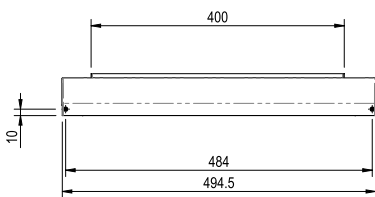


HYDROTAP G4 VENT TRAY KIT

Vent Tray Kit for BC and BCS Commercial Models, part #93540



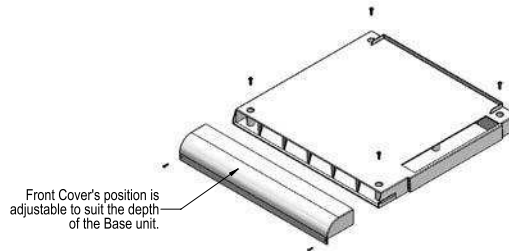
TOP VIEW
(FRONT COVER REMOVED FOR CLARITY)



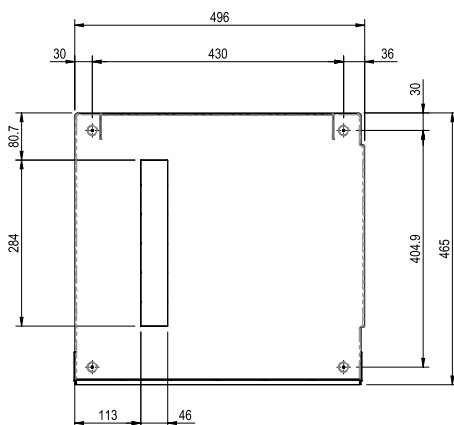
FRONT VIEW



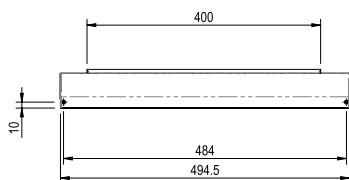
RHS VIEW



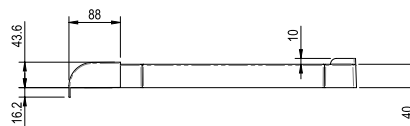
Vent Tray Kit for C and CS Commercial Models, Part #93541



TOP VIEW
(FRONT COVER REMOVED FOR CLARITY)



FRONT VIEW



RHS VIEW

